

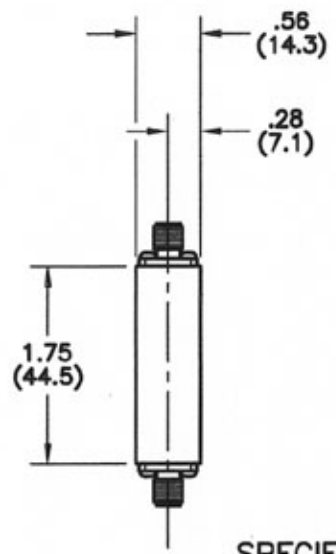
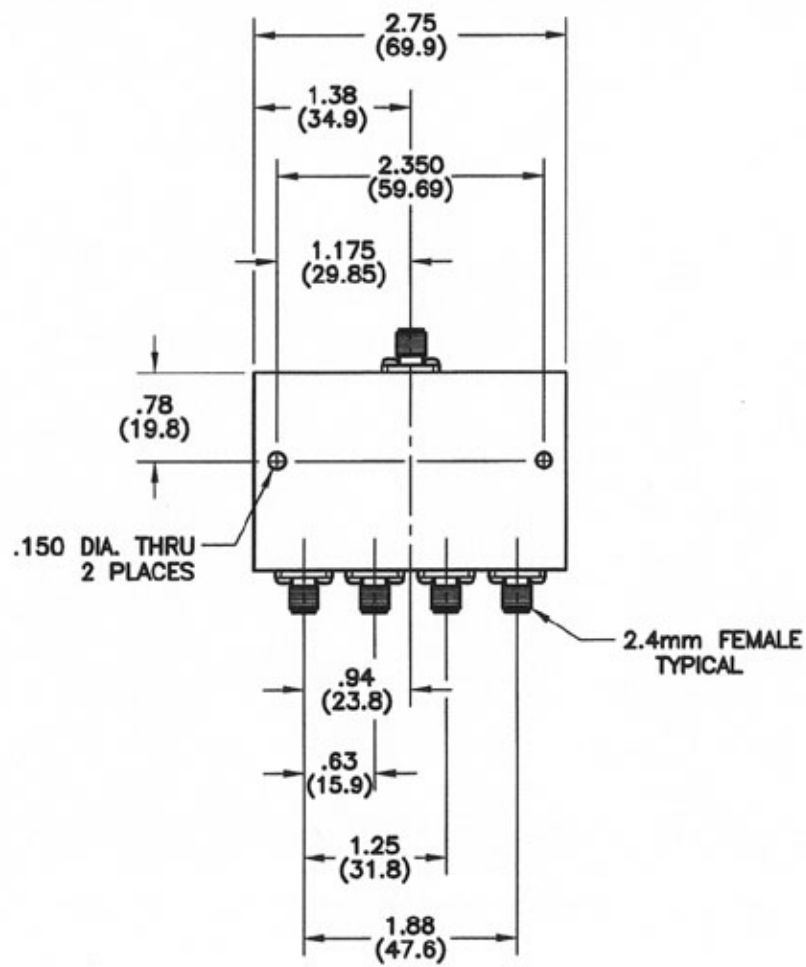
4

3

2

1

| REVISIONS | | | | | |
|-----------|------|-------------|------|----|-----|
| REV | ZONE | DESCRIPTION | DATE | BY | ECO |
| | | | | | |



SPECIFICATIONS:

FREQUENCY RANGE: 0.8 - 2.5 GHz
 INSERTION LOSS: 0.3 dB TYP., 0.5 dB MAX.
 ISOLATION: 20 dB MIN; 23 dB TYP.
 VSWR (COMMON PORT): 1.20:1 TYP.; 1.35: MAX
 VSWR (OUTPUT PORTS): 1.20:1 TYP.; 1.35: MAX
 POWER RATING: 30 WATTS AVG., WITH LOAD VSWR OF 1.20:1 MIN.

DIMENSIONS: INCHES (MILLIMETERS)

| TOLERANCES | |
|--------------|-------------|
| DEC.XX ± .03 | FRAC ± |
| .XXX ± .010 | ANG ± |
| MATERIAL | |
| FINISH | |
| DR | G.V.Cothren |
| CHK | |
| APPD | |
| APPD | |

THE INFORMATION CONTAINED IN THIS DOCUMENT IS THE PROPERTY OF MICROWAVE DEVICES, INC. AND IS PROPRIETARY. IT IS NOT TO BE COPIED OR USED FOR ANY PURPOSE OTHER THAN AS INSTRUCTED, IN WRITING, BY MICROWAVE DEVICES, INC.

| SIGNATURES | DATE |
|------------|---------|
| DR | 1-29-07 |
| CHK | |
| APPD | |
| APPD | |

MICROWAVE DEVICES
RF and Microwave Components

**OUTLINE, 4PD1.65-24
 4 WAY POWER DIVIDER**

| | | |
|-------------------|------|--------------|
| CAGE | SIZE | DRAWING NO. |
| 60674 | B | 900360-3 |
| DRAWING SCALE 1=1 | | SHEET 1 of 1 |

CONTACT: MICROWAVE DEVICES - 1150 N. GRAHAM RD. FRANKLIN, IN 46131 (317) 736-8633

DIMENSIONS ARE IN INCHES UNLESS OTHERWISE SPECIFIED.

4

3

2

1