

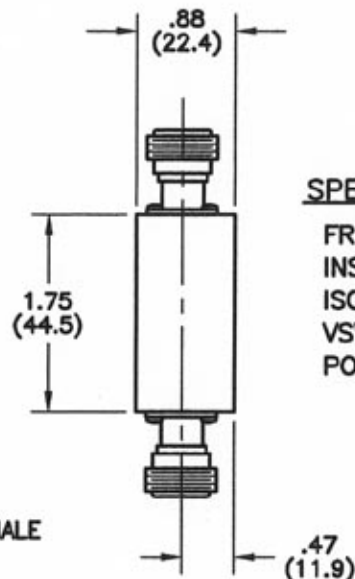
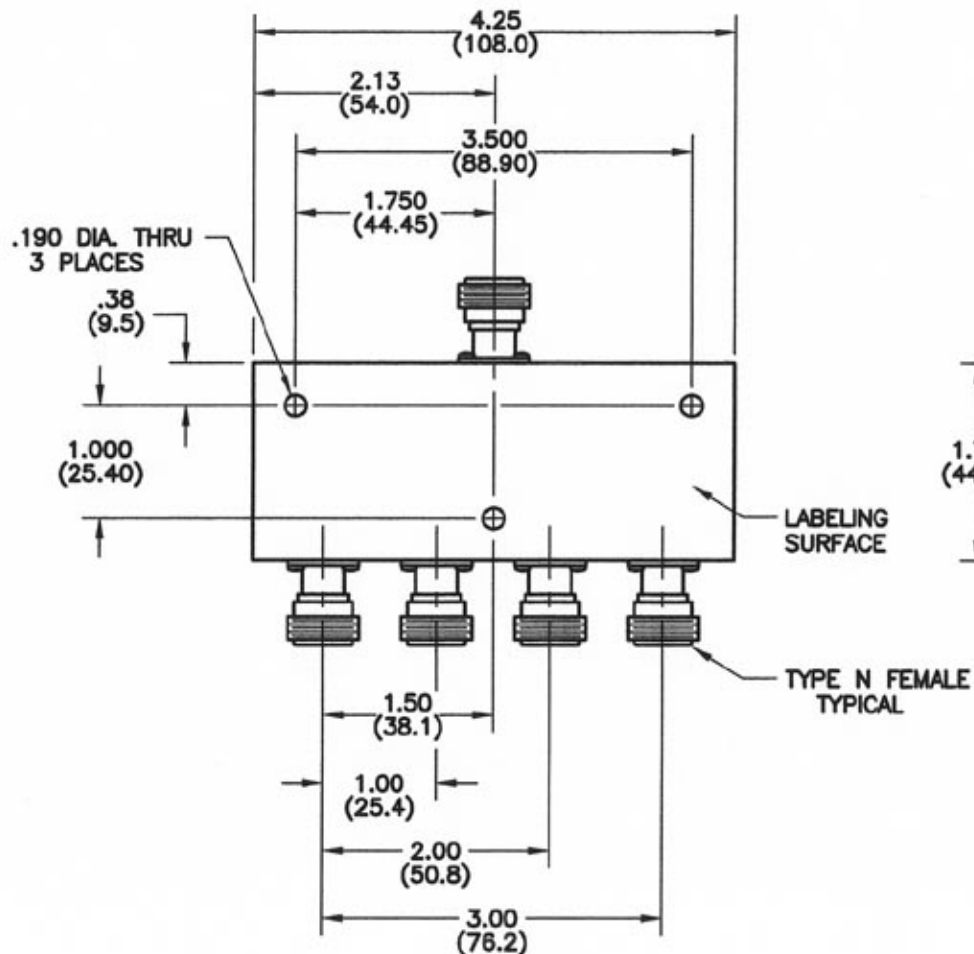
4

3

2

1

REVISIONS					
REV	ZONE	DESCRIPTION	DATE	BY	ECO
A	---	ADDED PORT DESIGNATIONS AND LABELING NOTE	12-8-03	GVC	---
B	2D	.88(22.4) DIM. WAS 1.00(25.4)	2-6-07	GVC	---
	2C	1.75(44.5) DIM. WAS 2.00(50.8)			
	2C	REVISED VSWR SPECIFICATION			



SPECIFICATIONS

FREQUENCY RANGE: 800 TO 3000 MHz
 INSERTION LOSS: 0.5 dB MAX.
 ISOLATION: 20 dB MIN.
 VSWR: 1.35:1 TYP.
 POWER: 30 WATTS AVG. W/ LOAD VSWR 1.20:1 MAX.

DIMENSIONS: INCHES
(MILLIMETERS)

CONTACT: MICROWAVE DEVICES - 1150 N. GRAHAM RD.
(517) 736-8833 FRANKLIN, IN 48131

TOLERANCES

DEC.XX ± .03 FRAC ±

.XXX ± .010 ANG ±

MATERIAL

FINISH

THE INFORMATION CONTAINED IN THIS DOCUMENT IS THE PROPERTY OF MICROWAVE DEVICES, INC. AND IS PROPRIETARY. IT IS NOT TO BE COPIED OR USED FOR ANY PURPOSE OTHER THAN AS INSTRUCTED, IN WRITING, BY MICROWAVE DEVICES, INC.

SIGNATURES DATE

DR G.V. Colthron 10-21-03

CHK

APPD

APPD

MICROWAVE DEVICES
RF and Microwave Components

OUTLINE, 4-WAY POWER DIVIDER, MODEL 4PD1.9N

CAGE 60674

SIZE B

DRAWING NO.

900427

DRAWING SCALE 1=1

SHEET 1 OF 1

4

3

2

1