

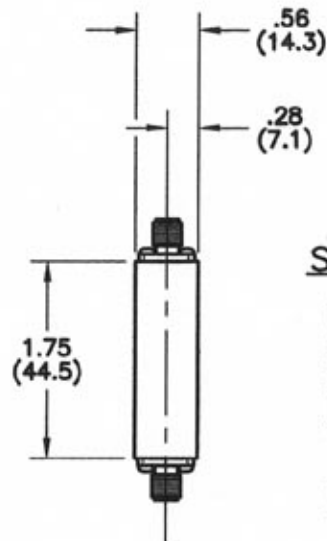
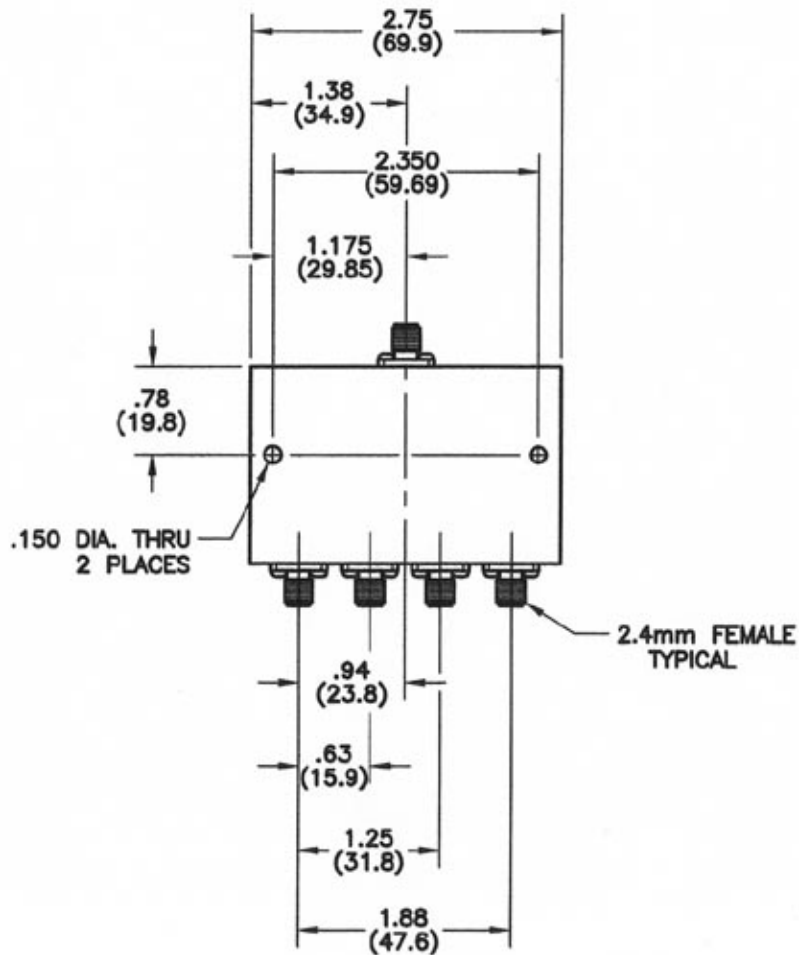
4

3

2

1

REVISIONS					
REV	ZONE	DESCRIPTION	DATE	BY	ECO



### SPECIFICATIONS

FREQUENCY RANGE: 1.5 TO 3.0 GHz

INSERTION LOSS: 0.6 dB MAX.

ISOLATION: 20 dB MIN.

VSWR: INPUT - 1.40:1 MAX.

OUTPUT - 1.40:1 MAX.

POWER: 30 WATTS AVG. W/ LOAD VSWR  
1.20:1 MAX.

DIMENSIONS: INCHES  
(MILLIMETERS)

#### TOLERANCES

DEC.XX ± .03	FRACTION ±
.XXX ± .010	ANG ±

MATERIAL

FINISH

THE INFORMATION CONTAINED IN THIS DOCUMENT IS THE PROPERTY OF MICROWAVE DEVICES, INC. AND IS PROPRIETARY. IT IS NOT TO BE COPIED OR USED FOR ANY PURPOSE OTHER THAN AS INSTRUCTED, IN WRITING, BY MICROWAVE DEVICES, INC.

SIGNATURES	DATE
DR G.V.Cothren	2-9-07

CHK

APPD

APPD

**Microwave Devices**  
RF and Microwave Components

OUTLINE, 4-WAY POWER  
DIVIDER, MODEL 4PD2.25-24

CAGE	SIZE	DRAWING NO.
60674	B	900647-3

DRAWING SCALE 1=1

SHEET 1 OF 1

CONTACT: MICROWAVE DEVICES - 1150 N. GRAHAM RD.  
FRANKLIN, IN 46131 (317) 736-8833

DIMENSIONS ARE IN INCHES UNLESS OTHERWISE SPECIFIED.

4

3

2

1