

SPECIFICATIONS

FREQUENCY RANGE - DC TO 2.4 GHz

IMPEDANCE - 50 OHMS

VSWR (1.0 GHz) - 1.25:1 MAX.

(2.4 GHz) - 1.45:1 MAX.

INPUT POWER (AVG.) - 1000 WATTS

(PEAK) - 2000 WATTS

ATTEN. ACCURACY - ± 0.50 dB OR 3%, DC TO 1.0 GHz (GREATER OF)

± 0.75 dB OR 5%, 1.0 TO 2.4 GHz (GREATER OF)

AVAILABLE ATTENUATION - 3 dB TO 60 dB

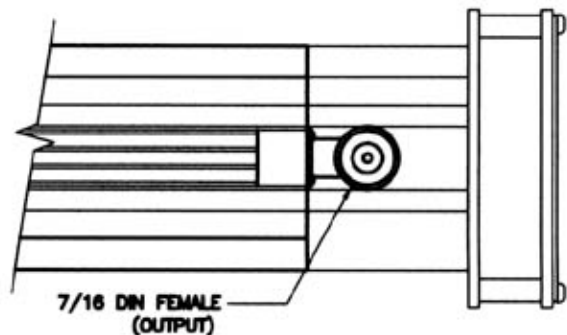
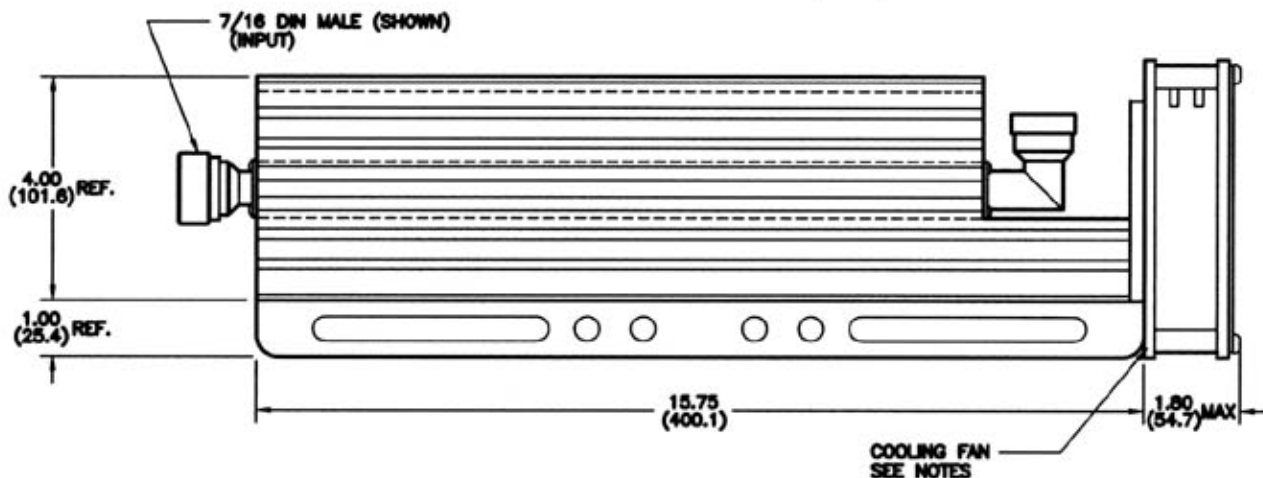
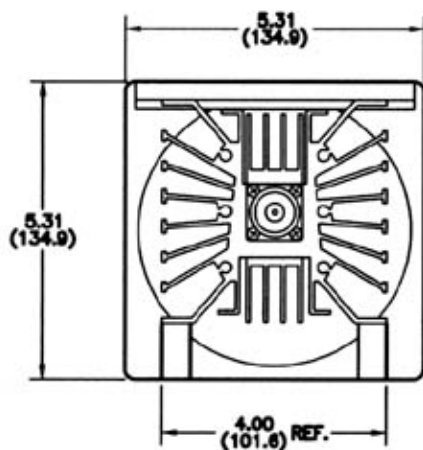
OPERATING TEMPERATURE - -55°C TO $+125^{\circ}\text{C}$

CONNECTOR - TYPE N M/F; 7/16 DIN M/F

COOLING: 159 C.F.M. FORCED AIR FAN COOLED

110 VAC - 60 Hz OR 220 VAC - 50 Hz - AS REQUIRED

REVISIONS			
REV. NO.	DESCRIPTION	DATE	BY EDO



DIMENSIONS: INCHES
(MILLIMETERS)

TO ORDER SEE P. 10 PRICE JUNE 2050 LINE 4 MATERIAL FINISH CRK JUNE APPRO	THE INFORMATION CONTAINED IN THIS DRAWING IS THE PROPERTY OF MICROWAVE DEVICES, INC. AND IS UNCLASSIFIED. IT IS NOT TO BE COPIED OR USED FOR ANY PURPOSE OTHER THAN AS AUTHORIZED IN WRITING BY MICROWAVE DEVICES, INC.	MICROWAVE DEVICES ATTENUATOR, BI-DIRECTIONAL, 1000 W., MOD. MA-51000/XD7 DATE 11/2/71 DRAWN BY 900818 CHECKED BY DESIGNED BY DRAWING SCALE 1:1 SHEET 1 OF 1
---	---	--