

# SPECIFICATIONS

FREQUENCY RANGE - DC TO 3.0 GHz

IMPEDANCE - 50 OHMS

VSWR (1.0 GHz) - 1.20:1 MAX.

(2.4 GHz) - 1.30:1 MAX.

(3.0 GHz) - 1.35:1 MAX.

INPUT POWER (AVG.) - 1000 WATTS

(PEAK) - 2000 WATTS

ATTEN. ACCURACY -  $\pm 0.50$ dB OR 3%, DC TO 1.0 GHz (GREATER OF)

$\pm 0.75$ dB OR 5%, 1.0 TO 3.0 GHz (GREATER OF)

AVAILABLE ATTENUATION - 3 dB TO 60 dB

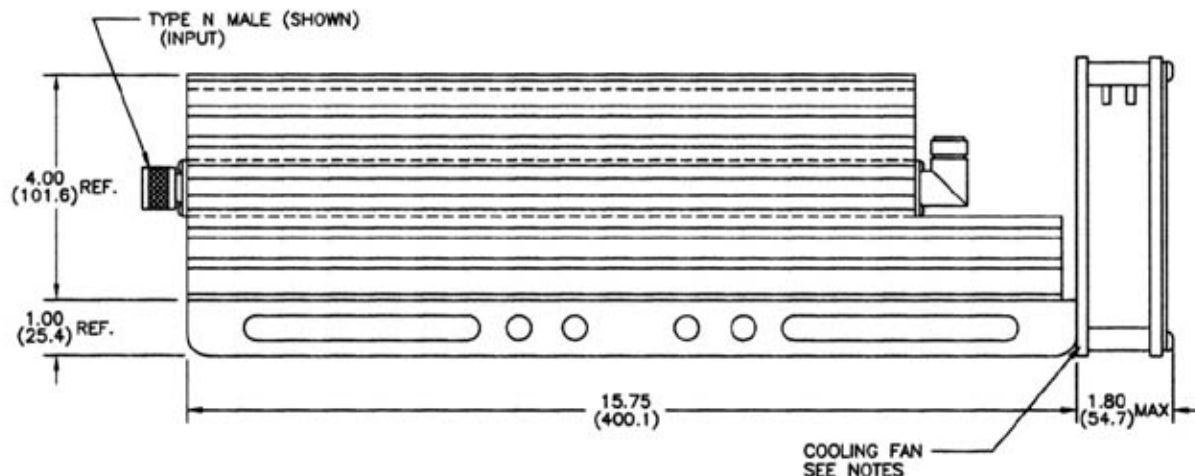
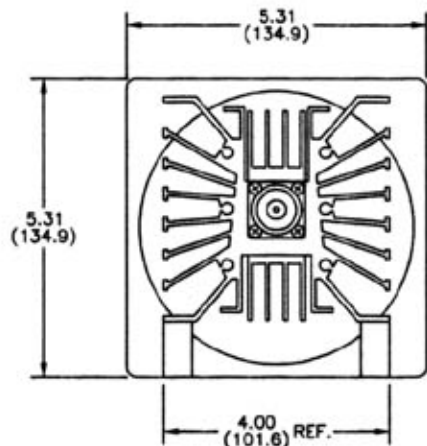
OPERATING TEMPERATURE -  $-55^{\circ}\text{C}$  TO  $+125^{\circ}\text{C}$

CONNECTOR - TYPE N M/F; 7/16 DIN M/F

COOLING: 159 C.F.M. FORCED AIR FAN COOLED

110 VAC - 60 Hz OR 220 VAC - 50 Hz - AS REQUIRED

REVISIONS				
REV	ZONE	DESCRIPTION	DATE	BY ECO
A	4C-0	REVISED HEAT SINK DETAILS	1/28/10	DM ---



DIMENSIONS: INCHES  
(MILLIMETERS)

REV	DATE	BY	CHKD	APP'D

THE INFORMATION CONTAINED IN THIS DOCUMENT IS THE PROPERTY OF MICROWAVE DEVICES, INC. IT IS LOANED TO YOU BY THE COMPANY AND IS NOT TO BE REPRODUCED OR TRANSMITTED IN ANY FORM OR BY ANY MEANS, ELECTRONIC OR MECHANICAL, INCLUDING PHOTOCOPYING, RECORDING, OR BY ANY INFORMATION STORAGE AND RETRIEVAL SYSTEM, WITHOUT THE WRITTEN PERMISSION OF MICROWAVE DEVICES, INC.	<b>MICROWAVE DEVICES</b> ATTENUATOR, BI-DIRECTIONAL, 1000 W., MOD. MA-51000/XN3 60874 D 900749-1 SHEET 1 OF 1
---	---