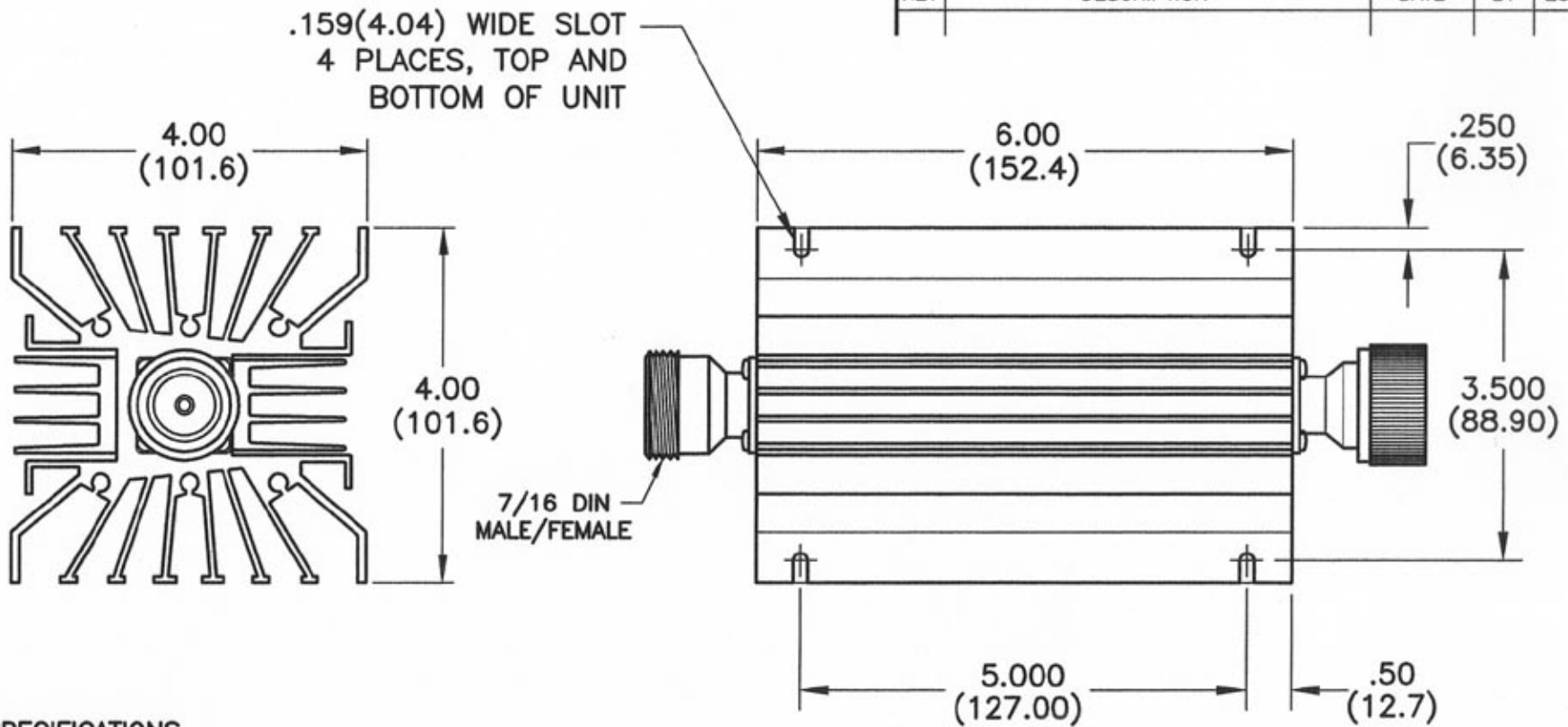


| REVISIONS | | | | |
|-----------|-------------|------|----|-----|
| REV | DESCRIPTION | DATE | BY | ECO |
| | | | | |



SPECIFICATIONS

FREQUENCY RANGE - DC TO 3.0 GHz
 ATTENUATION VALUES - 1-40 dB IN 1 dB INCREMENTS
 ACCURACY - DC TO 2.4 GHz (GREATER OF) ±0.5 dB OR 3%
 2.4 TO 3.0 GHz (GREATER OF) ±0.75 dB OR 5%
 IMPEDANCE - 50 OHMS
 VSWR (1.0 GHz) - 1.15:1
 (2.4 GHz) - 1.20:1
 (3.0 GHz) - 1.30:1
 INPUT POWER (AVG.) - 150 WATTS
 (PEAK) - 2000 WATTS
 OPERATING TEMPERATURE - -55°C TO +125°C
 CONNECTOR TYPES - 7/16 DIN, MALE/FEMALE

DIMENSIONS: INCHES (MILLIMETERS)

| TOLERANCES | |
|--|--------|
| DEC.XX ± .03 | FRAC ± |
| .XXX ± .010 | ANG ± |
| MATERIAL | |
| FINISH | |
| DIMENSIONS ARE IN INCHES UNLESS OTHERWISE SPECIFIED. | |

| | | |
|---|-------------|--------|
| THE INFORMATION CONTAINED IN THIS DOCUMENT IS THE PROPERTY OF MICROWAVE DEVICES, INC. AND IS PROPRIETARY. IT IS NOT TO BE COPIED OR USED FOR ANY PURPOSE OTHER THAN AS INSTRUCTED, IN WRITING, BY MICROWAVE DEVICES, INC. | | |
| SIGNATURES | | DATE |
| DR | G.V.Cothron | 3-2-07 |
| CHK | | |
| APPD | | |
| APPD | | |

Microwave Devices
 RF and Microwave Components

MA-5150/XD7 ATTEN.
150 W., DC-3.0 GHz

| | | |
|-------------------|------|--------------|
| CAGE | SIZE | DRAWING NO. |
| 60674 | A | 900289-4 |
| DRAWING SCALE ~ ~ | | SHEET 1 OF 1 |

CONTACT: MICROWAVE DEVICES - 1150 N. GRAHAM RD.
 (317) 736-8833 FRANKLIN, IN 46131