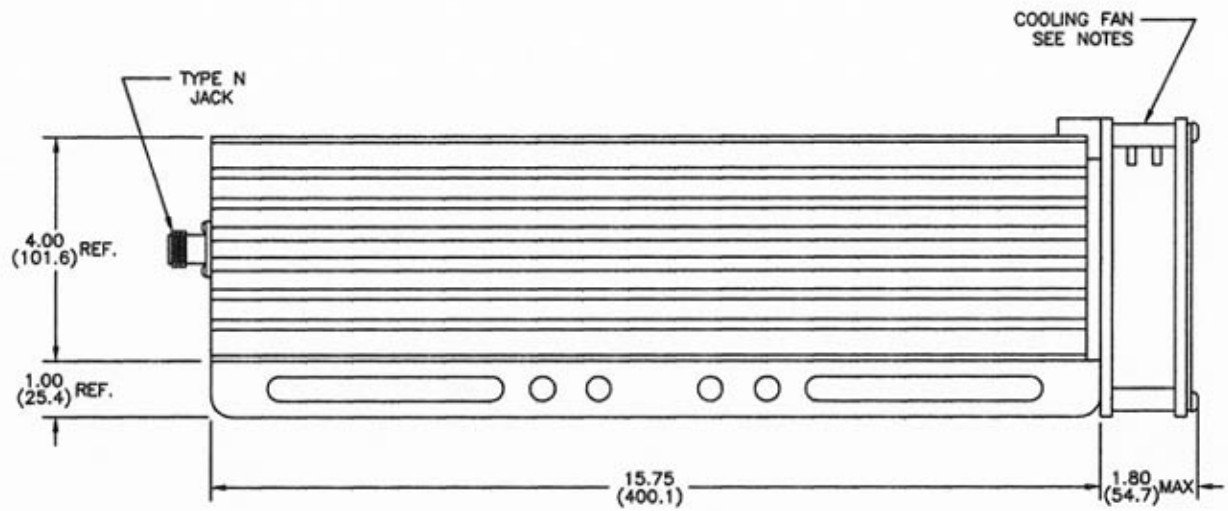
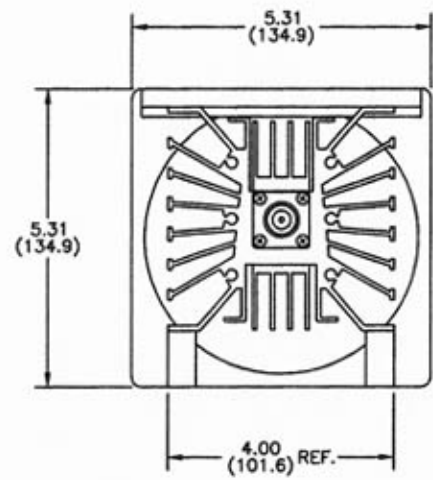


REVISIONS					
REV	ZONE	DESCRIPTION	DATE	BY	ECO



SPECIFICATIONS

- FREQUENCY RANGE - DC TO 2.4 GHz
- IMPEDANCE - 50 OHMS
- VSWR (1.0 GHz) - 1.20:1 MAX.
- (2.4 GHz) - 1.30:1 MAX.
- INPUT POWER (AVG.) - 1000 WATTS
- (PEAK) - 2000 WATTS
- OPERATING TEMPERATURE - -55°C TO +125°C
- CONNECTOR - TYPE N FEMALE
- COOLING: 159 C.F.M. FORCED AIR FAN COOLED
- 115 V. - 50/60 Hz. OR
- 230 V. - 50/60 Hz. AS REQUIRED

DIMENSIONS: INCHES (MILLIMETERS)

ITEM	PART NUMBER	DESCRIPTION	QTY.
ASSEMBLY LIST			
TOLERANCES		THE INFORMATION CONTAINED IN THIS DOCUMENT IS THE PROPERTY OF MICROWAVE DEVICES, INC. AND IS UNCLASSIFIED. IF IT IS NOT TO BE COPIED OR USED FOR ANY PURPOSE OTHER THAN AS AUTHORIZED, IT SHALL BE BY MICROWAVE DEVICES, INC.	
DECIMALS TO	FINISH		
0.001 - .005	AS 2		
MATERIAL		TERMINATION, 1000 WATT MODEL 61000NF	
FINISH		SIGNATURES	DATE
CNC		DR G.V. Cothran	3-24-08
APPD		CAGE CODE	6067410
APPD		QUANTITY	900745
APPD		DRAWING SCALE	1:1
APPD		SHEET 1 OF 1	