

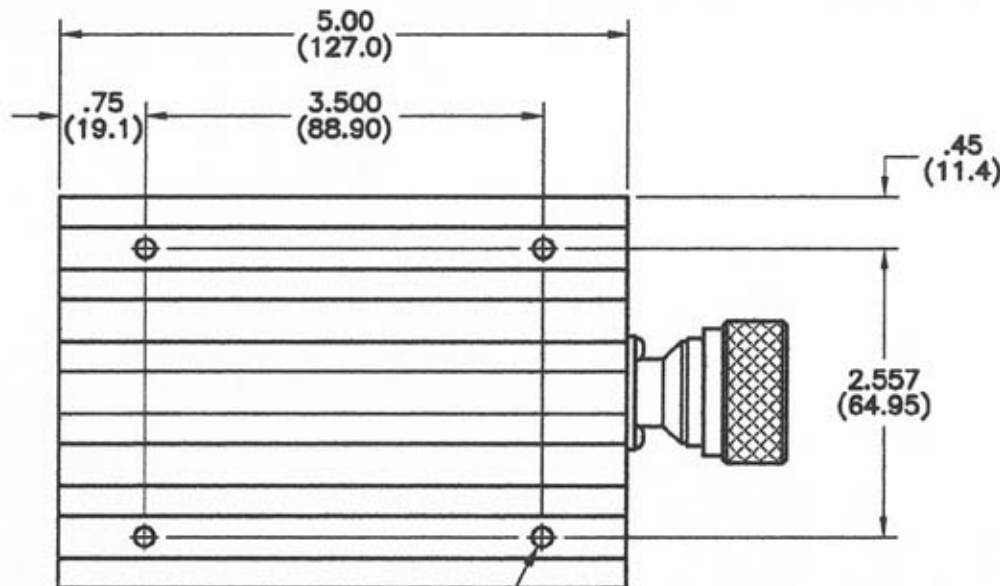
4

3

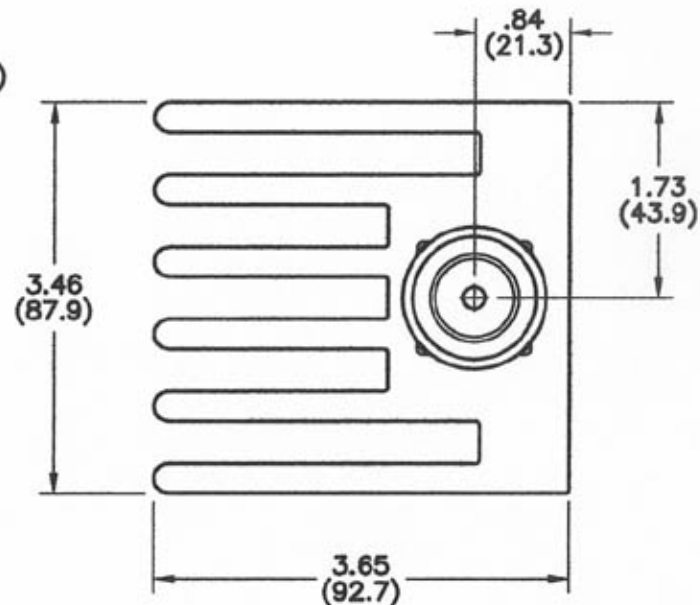
2

1

REVISIONS					
REV	ZONE	DESCRIPTION	DATE	BY	ECO



.172(4.37) DIAMETER THRU  
 4 HOLES



### SPECIFICATIONS

FREQUENCY RANGE - DC TO 6.0 GHz

IMPEDANCE - 50 OHMS

VSWR (DC - 2.0 GHz) - 1.20:1

(2.0 - 4.0 GHz) - 1.28:1

(4.0 - 6.0 GHz) - 1.30:1

INPUT POWER (AVG.) - 100 WATTS

(PEAK) - 2000 WATTS

OPERATING TEMPERATURE - -55°C TO +125°C

CONNECTOR - 7/16 DIN MALE

DIMENSIONS: INCHES  
 (MILLIMETERS)

TOLERANCES		THE INFORMATION CONTAINED IN THIS DOCUMENT IS THE PROPERTY OF MICROWAVE DEVICES, INC. AND IS PROPRIETARY. IT IS NOT TO BE COPIED OR USED FOR ANY PURPOSE OTHER THAN AS INSTRUCTED, IN WRITING, BY MICROWAVE DEVICES, INC.	SIGNATURES		DATE
DEC.XX ± .03	FRNC ±		DR	G.V.Cothren	8-28-08
.00X ± .010	ANG ±	CHK			
MATERIAL		APPD			
FINISH		APPO			

**MICROWAVE DEVICES**  
(If not otherwise designated)

**OUTLINE, 6100L7-6  
 TERMINATION, 7/16 DIN**

CAGE	SIZE	DRAWING NO.
60674	B	900770

DRAWING SCALE 1=1      SHEET 1 OF 1

CONTACT: MICROWAVE DEVICES - 1150 N. GRAHAM RD.  
 (317) 736-8833      FRANKLIN, IN 46131

DIMENSIONS ARE IN INCHES UNLESS OTHERWISE SPECIFIED.

4

3

2

1