

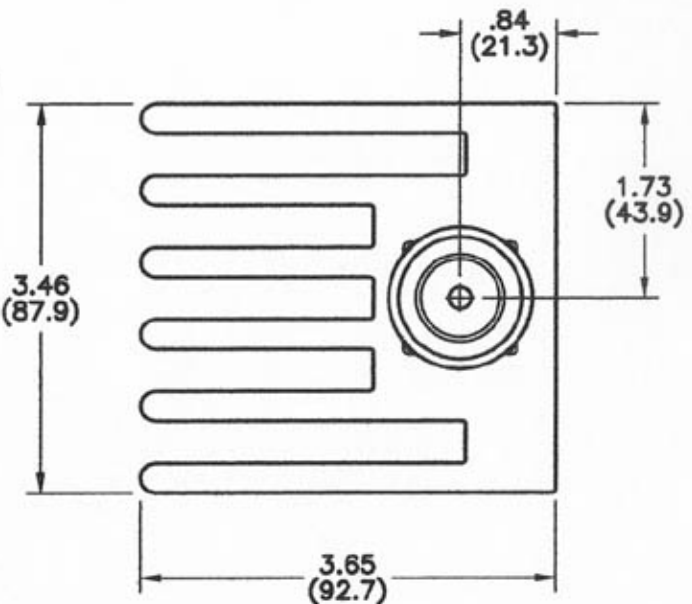
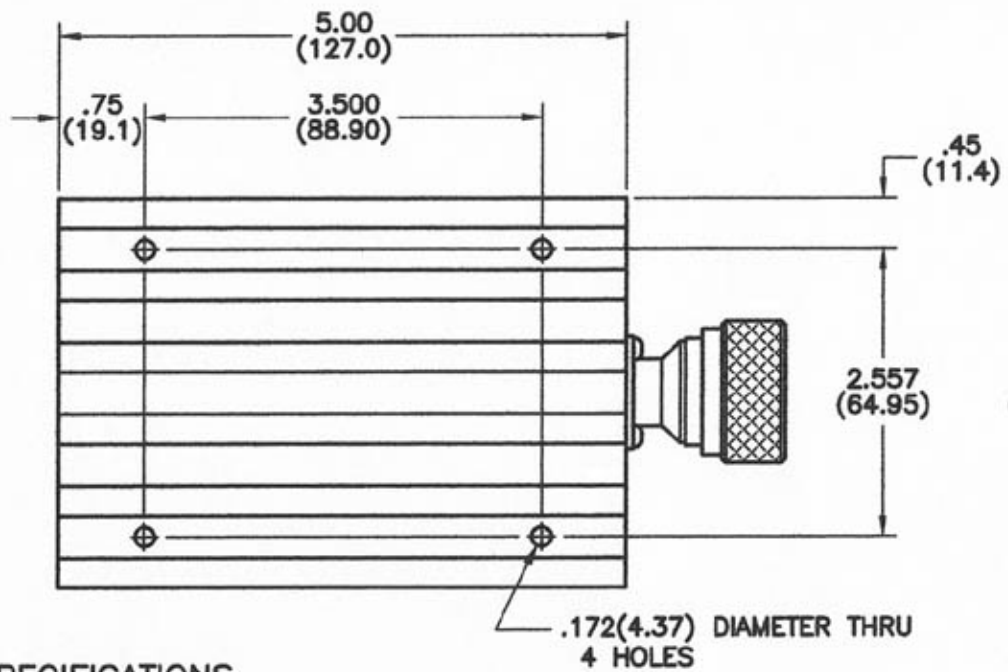
4

3

2

1

REVISIONS					
REV	ZONE	DESCRIPTION	DATE	BY	ECO



SPECIFICATIONS

- FREQUENCY RANGE - DC TO 6.0 GHz
- IMPEDANCE - 50 OHMS
- VSWR (DC - 2.0 GHz) - 1.20:1
- (2.0 - 4.0 GHz) - 1.28:1
- (4.0 - 6.0 GHz) - 1.30:1
- INPUT POWER (AVG.) - 150 WATTS
- (PEAK) - 2000 WATTS
- OPERATING TEMPERATURE - -55°C TO +125°C
- CONNECTOR - 7/16 DIN, MALE OR FEMALE
- (MALE SHOWN)

DIMENSIONS: INCHES (MILLIMETERS)

TOLERANCES		THE INFORMATION CONTAINED IN THIS DOCUMENT IS THE PROPERTY OF MICROWAVE DEVICES, INC. AND IS PROPRIETARY. IT IS NOT TO BE COPIED OR USED FOR ANY PURPOSE OTHER THAN AS INSTRUCTED, IN WRITING, BY MICROWAVE DEVICES, INC.	MICROWAVE DEVICES <small>(RF and Microwave Components)</small>	
DEC.XX ± .03	FRAC ±		OUTLINE, 6150L7-6 TERMINATION, 7/16 DIN	
.XXX ± .010	ANG ±			
MATERIAL		SIGNATURES	DATE	CAGE CODE 60674 SIZE B DRAWING NO. 900771 DRAWING SCALE 1=1 SHEET 1 OF 1
FINISH		DR G.V.Cothren	8-28-08	
CHK				
APPD				
APPD				

CONTACT: MICROWAVE DEVICES - 1150 N. GRAHAM RD. FRANKLIN, IN 46131 (317) 736-5833

DIMENSIONS ARE IN INCHES UNLESS OTHERWISE SPECIFIED.

4

3

2

1