

4

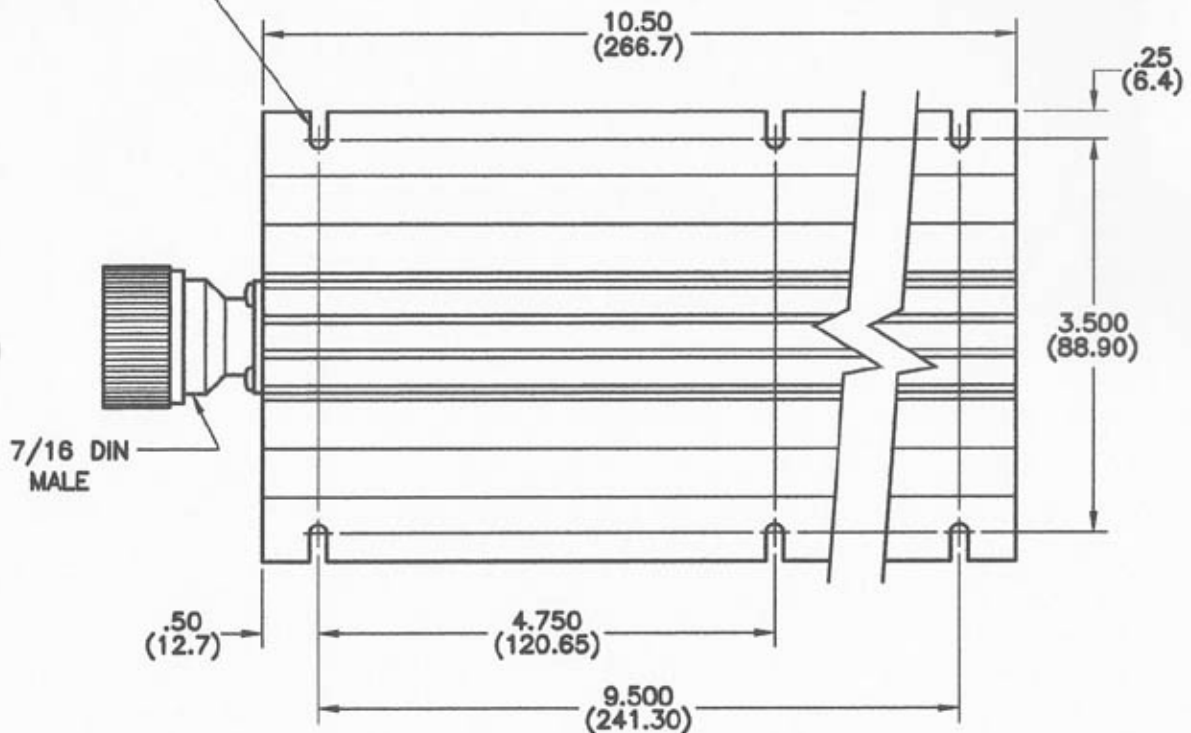
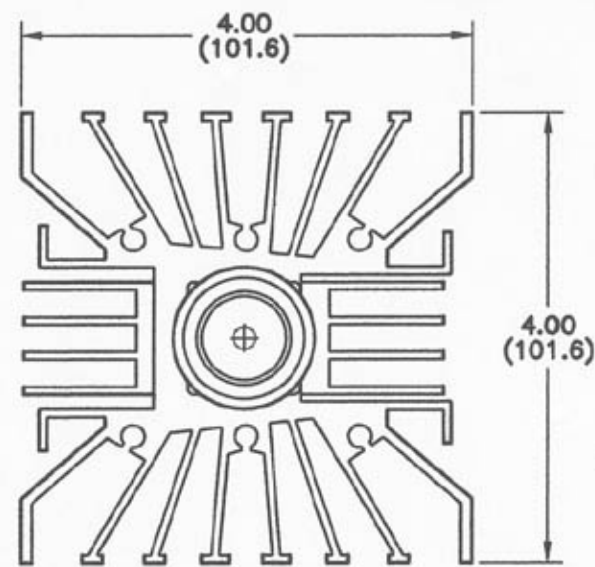
3

2

1

REVISIONS				
REV	ZONE	DESCRIPTION	DATE	BY ECO

.156(3.96) WIDE SLOT
6 PLACES, TOP & BOTTOM



SPECIFICATIONS

FREQUENCY RANGE - DC TO 6.0 GHz
 IMPEDANCE - 50 OHMS
 VSWR (DC - 2.0 GHz) - 1.20:1
 (2.0 - 4.0 GHz) - 1.35:1
 (4.0 - 6.0 GHz) - 1.40:1
 INPUT POWER (AVG.) - 300 WATTS
 (PEAK) - 2000 WATTS
 OPERATING TEMPERATURE - -55°C TO +125°C
 CONNECTOR TYPES - TYPE N, TNC, 7/16 DIN, PLUG OR JACK
 (7/16 DIN MALE SHOWN)
 WEIGHT - ~ 6.5 lbs

DIMENSIONS: INCHES
(MILLIMETERS)

TOLERANCES		SIGNATURES		DATE
DEC.XX ± .05	FRACTION ±	DR	G.V.Cottrion	12-2-08
.XXX ± .010	ANG ±	CHK		
MATERIAL		APPD		
FINISH		APPD		

MicroWave Devices
RF and Microwave Components

**OUTLINE, TERMINATION,
 MODEL 6300-7-6**

CAGE 60674 SIZE B DRAWING NO. 900773-2
 DRAWING SCALE 1:1 SHEET 1 OF 1

CONTACT: MICROWAVE DEVICES - 1150 N. GRAHAM RD.
 FRANKLIN, IN 46131
 (317) 736-8033

DIMENSIONS ARE IN INCHES UNLESS OTHERWISE SPECIFIED.

4

3

2

1